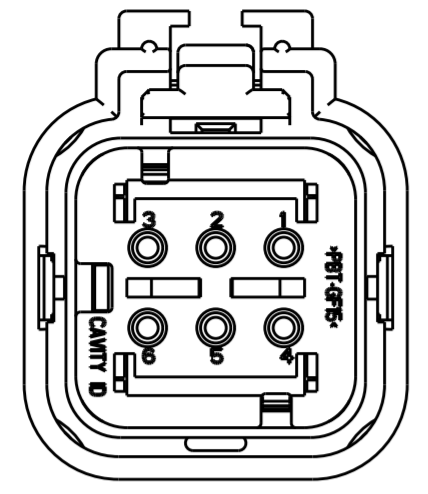
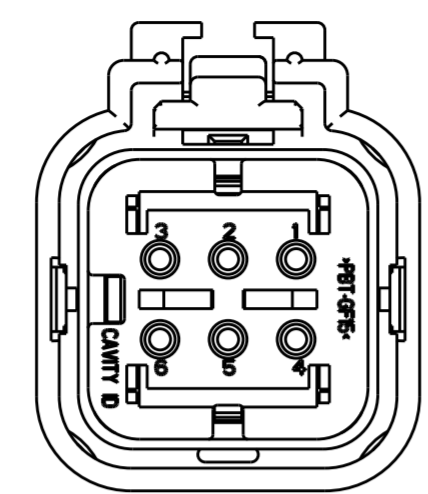


THIS DRAWING IS UNPUBLISHED. RELEASED FOR PUBLICATION 20  
 © COPYRIGHT 20 BY - ALL RIGHTS RESERVED.

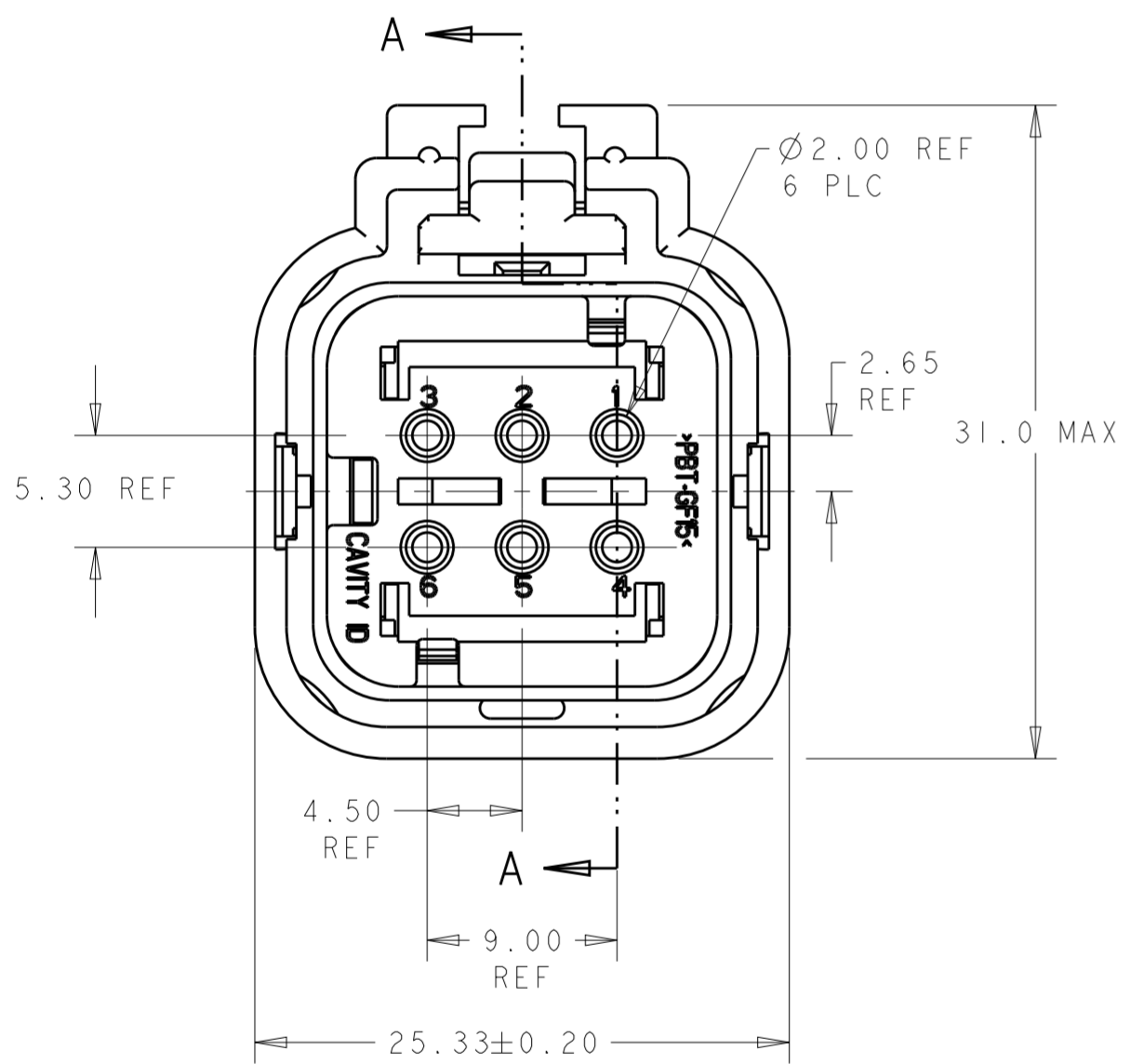
REVISIONS				
P	LTR	DESCRIPTION	DATE	APVD
E	I	REVISED PER ECO-11-005030	26APR2011	RK HMR
F	F	REVISED PER ECO-13-019168	05DEC2013	DR RB



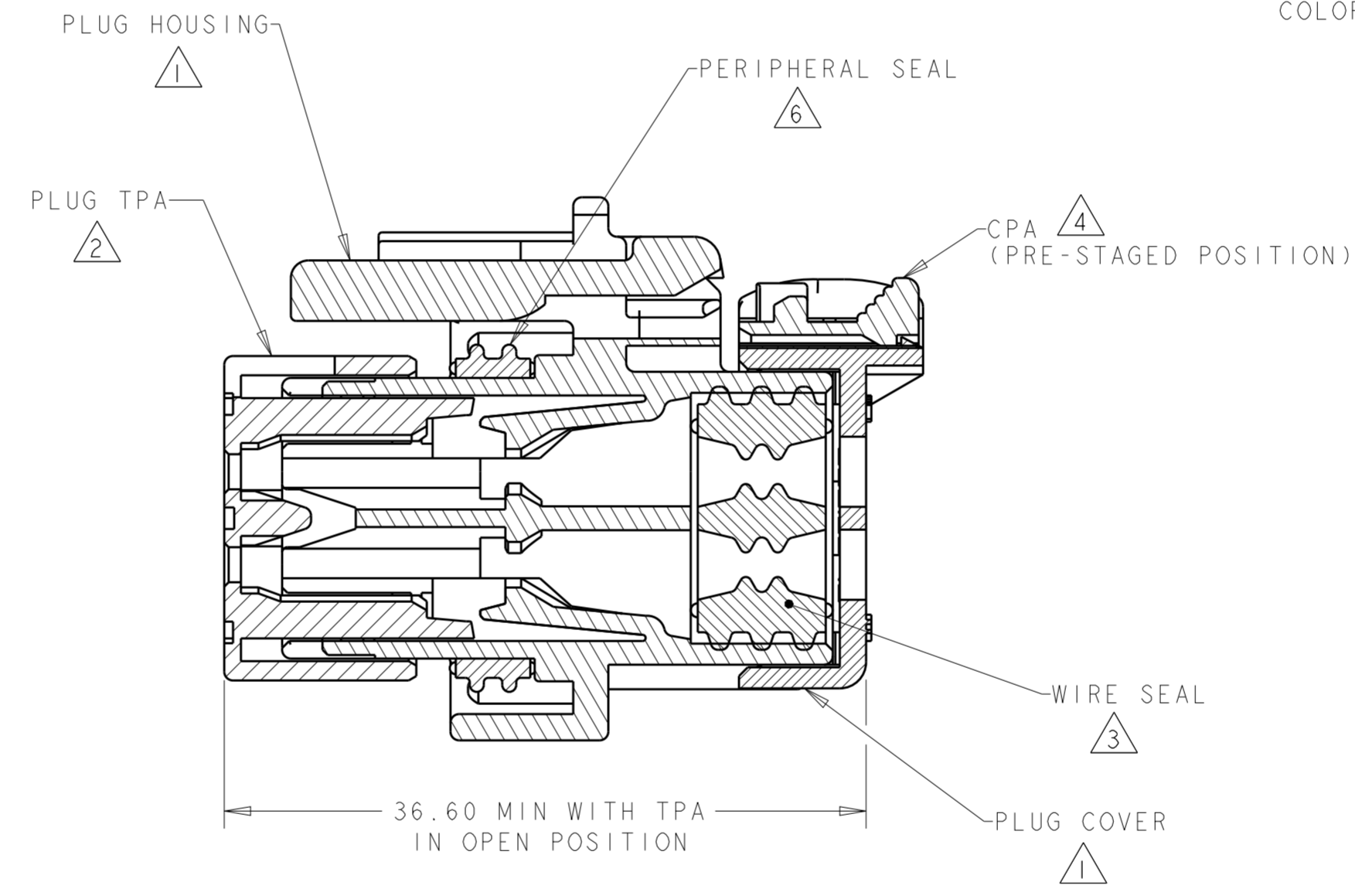
776433-2  
SCALE: 2:1



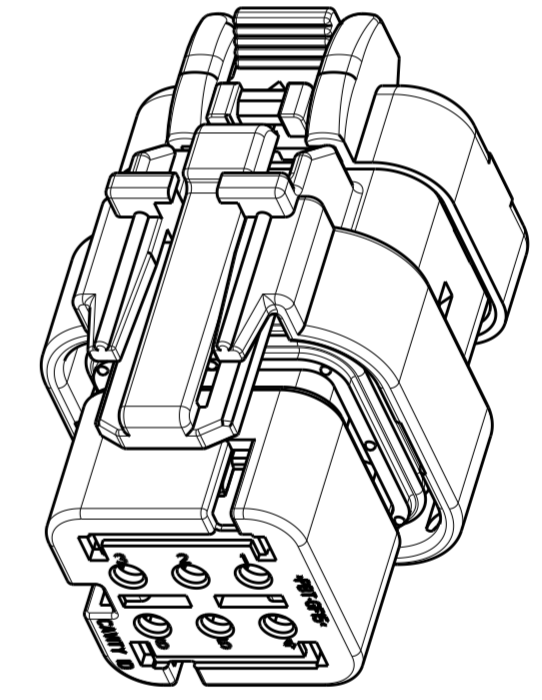
776433-3  
SCALE: 2:1



776433-1 SHOWN



SECTION A-A



SCALE 2:1

- 1 MATERIAL: 15% GLASS FILLED THERMOPLASTIC  
COLOR: BLACK
- 2 MATERIAL: 15% GLASS FILLED THERMOPLASTIC  
COLOR: (SEE TABLE)
- 3 MATERIAL: SILICONE  
COLOR: MARINE BLUE
- 4 MATERIAL: 15% GLASS FILLED THERMOPLASTIC  
COLOR: RED
- 5. RECOMMENDED WIRE DIAMETER RANGE IS 2.18 TO 3.67mm
- 6 MATERIAL: SILICONE  
COLOR: BLUE

YELLOW	776433-3
GRAY	776433-2
RED	776433-1
TPA COLOR	PART NUMBER

THIS DRAWING IS A CONTROLLED DOCUMENT.		DWN AJ GRAFF 13JUN00	TE Connectivity															
DIMENSIONS:		CHK R GREINER 03JAN02																
TOLERANCES UNLESS OTHERWISE SPECIFIED:		APVD M TRULLI 03JAN02																
mm		PRODUCT SPEC																
<table border="1"> <tr> <td>0 PLC</td> <td>±</td> </tr> <tr> <td>1 PLC</td> <td>±</td> </tr> <tr> <td>2 PLC</td> <td>±</td> </tr> <tr> <td>3 PLC</td> <td>±</td> </tr> <tr> <td>4 PLC</td> <td>±</td> </tr> <tr> <td>ANGLES</td> <td>±</td> </tr> <tr> <td>FINISH</td> <td>-</td> </tr> </table>		0 PLC	±	1 PLC	±	2 PLC	±	3 PLC	±	4 PLC	±	ANGLES	±	FINISH	-	APPLICATION SPEC	NAME	PLUG ASSEMBLY, 6 POSITION, DUAL ROW, AMPSEAL 16
0 PLC	±																	
1 PLC	±																	
2 PLC	±																	
3 PLC	±																	
4 PLC	±																	
ANGLES	±																	
FINISH	-																	
MATERIAL		114-13065	SIZE	A2														
-		WEIGHT	CAGE CODE	-														
-		Customer Drawing	DRAWING NO	G-776433														
		RESTRICTED TO	SCALE	2:1														
			SHEET	1 OF 1														
			REV	F														